

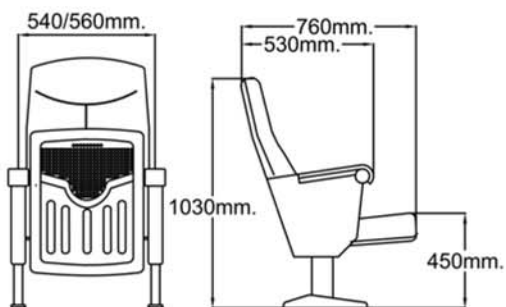
JOSPER

tenerife

model



Options



tenerife

model

Metallic Laterals Sides

Metal parts with thermohardened epoxi powder coating 70-80 microns, and antirusting treatment.

Upholstery aisle panels . At the end-rows.

Armrest of polypropilene.

Backs

Compact Polypropilene Inner Structure.

Ergonomic Back cushion of cold moulded polyurethane foam, high density.

Upholstered backrest with monoblock system, sewing and stitchingless.

Polypropilene back shell.

Trevira CS upholstery, according with the requirements of the Technical Code of the Edification. Type and colour to be choose.

Syntetic leather fabric optional for outdoor and require projects.

Seats

Compact Polypropilene Inner Structure.

Ergonomic Seat cushion of cold moulded polyurethane foam, high density.

Upholstered seat with monoblock system, sewing and stitchingless.

Polypropilene seat shell.

Trevira CS upholstery, according with the requirements of the Technical Code of the Edification. Type and colour to be choose.

Syntetic leather fabric optional for outdoor and require projects.

Automatic tip-up seat with double soundlesspring, no maintenance required.

Polyurethane foam

Seat density: 65 Kg./m3

Backrest density: 55 Kg./m3

Paint

Epoxi Powder coating

thickness coating: 70-80 microns

Grid adherence 100%

Upholstery

pilling resistance: ISO 12947 value 5

Polypropylene

material:PPR 1042E S1

breaking resistance DIN 53455:28N/mm2

impact resistance DIN 53453:sin rotura

	UNE 23727-90	BS-5852
Foam	M4	Ignition source 5
Upholstery	M1	Ignition source 0&1
Shells	M3	Ignition source 0&1

UNE EN 1.021:2006 Parte 1

UNE EN 1.021:2006 Parte 2