

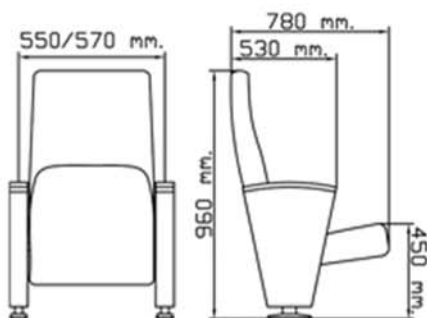
JOSPER

oxford

model



Option



oxford

model

Armrest/Sides

Metal Parts with thermohardened epoxi powder coating, 70-80 microns, and antirusting treatment.
 End of row and middle armrests made of varnished solid wood.
 Upholstered middle and end sides.

Backs

Reinforced polypropylene structure.
 Ergonomic backrest cushion in cold-molded polyurethane foam, high density.
 Upholstered with monoblock system, without seams or sewn.
 Fire-proof Trevira CS fabric. Texture, design and colors at customer choice.
 Backrest board in plywood, high-frequency bending and varnishing.

Seats

Metal structure made of electro-welded steel plate and tube with continuous arc.
 Ergonomic backrest cushion in cold-molded polyurethane foam, high density.
 Upholstered with monoblock system, without seams or sewn.
 Fire-proof Trevira CS fabric. Texture, design and colors at customer choice.
 Tip-up seat by double steel springs housed in self-lubricating nylon bearings, quiet and free maintenance.
 Certified more than 500.000 cycles.

Polyurethane foam

Seat density: 65 Kg./m³
 Back density: 55 Kg./m³

Paint

Epoxi Powder coating
 thickness coating: 70-80 microns
 Grid adherence 100%

	UNE 23727-90	BS-5852
Foam	M4	Ignition source 5
Upholstery	M1	Ignition source 0&1
Barniz	M1	

Upholstery

pilling resistance: ISO 12947 value 5

UNE EN 1.021:2006 Parte 1
 UNE EN 1.021:2006 Parte 2

Plywood

High-pressure shaped and varnished
 of two polyurethane components beech board.