

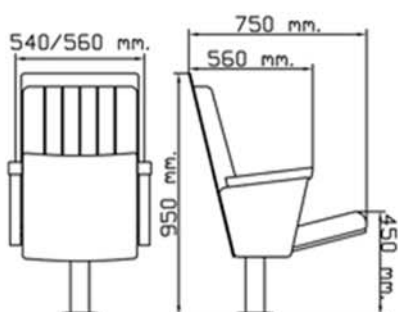
JOSPER

sevilla

model



Option



# sevilla

## model

### Armrest/Sides

Metal Parts with thermohardened epoxi powder coating, 70-80 microns, and antirusting treatment.

Armrest of solid varnished wood.

Middle and end sides of varnished plywood.

### Backs

Metal structure made of electro-welded steel plate and tube with continuous arc.

Ergonomic backrest cushion in cold-molded polyurethane foam, high density.

Fire-proof Trevira CS fabric. Texture, design and colors at costumer choice.

Backrest board in plywood, high-frequency bending and varnishing.

### Seats

Metal structure made of electro-welded steel plate and tube with continuous arc.

Ergonomic backrest cushion in cold-molded polyurethane foam, high density.

Fire-proof Trevira CS fabric. Texture, design and colors at costumer choice.

Tip-up seat by double steel springs housed in self-lubricating nylon bearings, quiet and free maintenance.

Certified more than 500.000 cycles.

Backrest board in plywood, high-frequency bending and varnishing.

### Polyurethane foam

Seat density: 65 Kg./m3

Back density: 55 Kg./m3

### Paint

Epoxi Powder coating

thickness coating: 70-80 microns

Grid adherence 100%

	UNE 23727-90	BS-5852
Foam	M4	Ignition source 5
Upholstery	M1	Ignition source 0&1
Barniz	M1	

### Upholstery

pilling resistance: ISO 12947 value 5

UNE EN 1.021:2006 Parte 1

UNE EN 1.021:2006 Parte 2

### Plywood

High-pressure shaped and varnished

of two polyurethane components beech board.