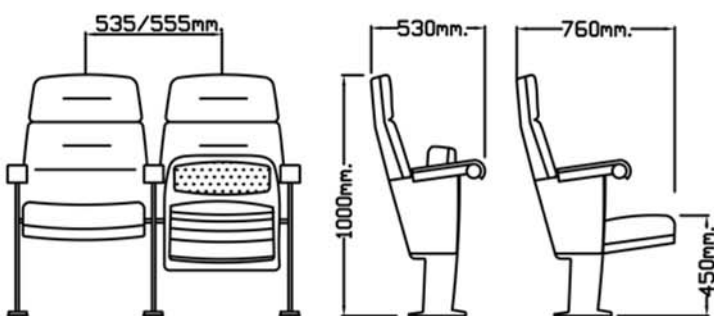


ibiza L

model



ibiza L

model

Armrest/Sides

Metal Parts with thermohardened epoxi powder coating, 70-80 microns, and antirusting treatment.

Upholstered end of row panel.

Polypropylene armrests.

Backs

Reinforced polypropylene structure.

Ergonomic backrest cushion in cold-molded polyurethane foam, high density.

Upholstered with monoblock system, without seams or sewn.

Polypropylene shell.

Fire-proof Trevira CS fabric. Texture, design and colors at costumer choice.

Seats

Reinforced polypropylene structure.

Ergonomic backrest cushion in cold-molded polyurethane foam, high density.

Upholstered with monoblock system, without seams or sewn.

Polypropylene shell.

Fire-proof Trevira CS fabric. Texture, design and colors at costumer choice.

Tip-up seat by double steel springs housed in self-lubricating nylon bearings, quiet and free maintenance.

Certified more than 500.000 cycles.

Polyurethane foam

Seat density: 65 Kg./m3

Backrest density: 55 Kg./m3

Paint

Epoxi Powder coating

thickness coating: 70-80 microns

Grid adherence 100%

	UNE 23727-90	BS-5852
Foam	M4	Ignition source 5
Upholstery	M1	Ignition source 0&1
Shells	M3	Ignition source 0&1

Upholstery

pilling resistance: ISO 12947 value 5

UNE EN 1.021:2006 Parte 1

UNE EN 1.021:2006 Parte 2

Polypropylene

material: PPR 1042E S1

breaking resistance DIN 53455: 28N/mm2

impact resistance DIN 53453: sin rotura