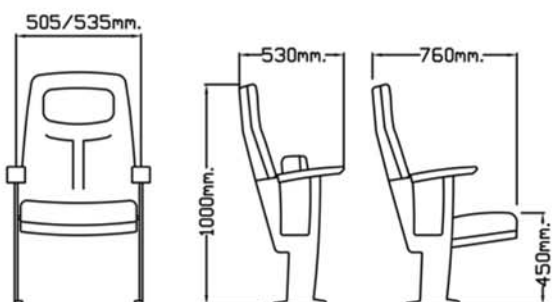


JOSPER

*palma*

*model*



# palma

## model

### Armrest/Sides

Metal Parts with thermohardened epoxi powder coating, 70-80 microns, and antirusting treatment.  
Polypropylene armrests.

### Backs

Reinforced polypropylene structure.  
Ergonomic backrest cushion in cold-molded polyurethane foam, high density.  
Upholstered with monoblock system, without seams or sewn.  
Polypropylene shell.  
Fire-proof Trevira CS fabric. Texture, design and colors at costumer choice.

### Seats

Reinforced polypropylene structure.  
Ergonomic backrest cushion in cold-molded polyurethane foam, high density.  
Upholstered with monoblock system, without seams or sewn.  
Polypropylene shell.  
Fire-proof Trevira CS fabric. Texture, design and colors at costumer choice.  
Tip-up seat by double steel springs housed in self-lubricating nylon bearings, quiet and free maintenance.  
Certified more than 500.000 cycles.

### Polyurethane foam

Seat density: 65 Kg./m3  
Back density: 55 Kg./m3

### Paint

Epoxi Powder coating  
thickness coating: 70-80 microns  
Grid adherence 100%

### Upholstery

pilling resistance: ISO 12947 value 5

	UNE 23727-90	BS-5852
Foam	M4	Ignition source 5
Upholstery	M1	Ignition source 0&1
Shells	M3	Ignition source 0&1

UNE EN 1.021:2006 Parte 1

UNE EN 1.021:2006 Parte 2